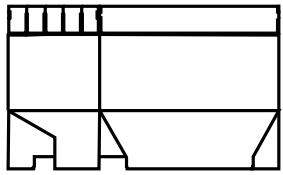
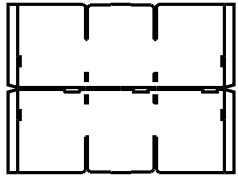


15 SLOT MAILBOX ASSEMBLY INSTRUCTIONS

PARTS LIST



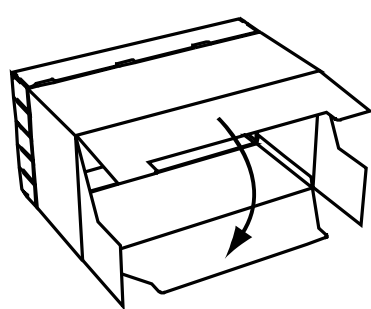
BASE (1)



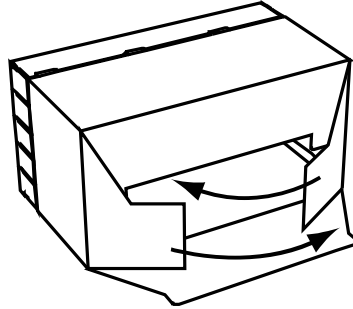
SHELVES (4)



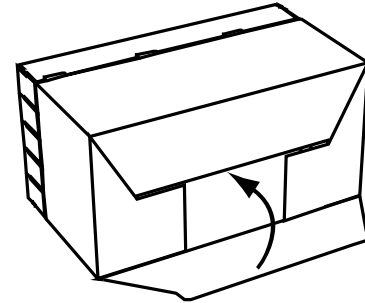
DIVIDER (1)



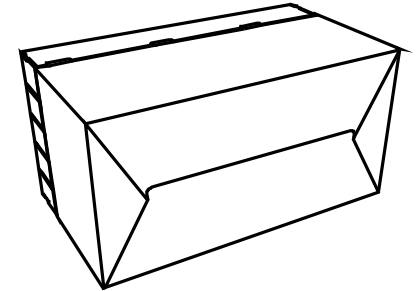
1. Square up the BASE with the BACK of it facing you. Fold the TOP FLAP over.



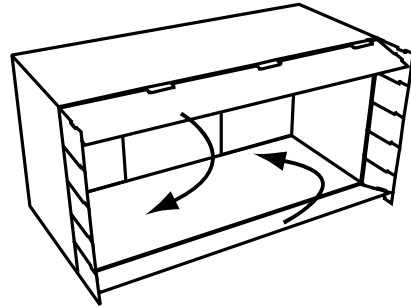
2. Fold the SIDE FLAPS over.



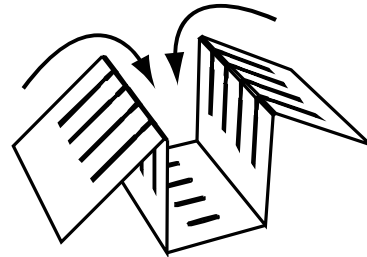
3. Fold the BOTTOM FLAP over and tuck it under the TOP FLAP to lock it together.



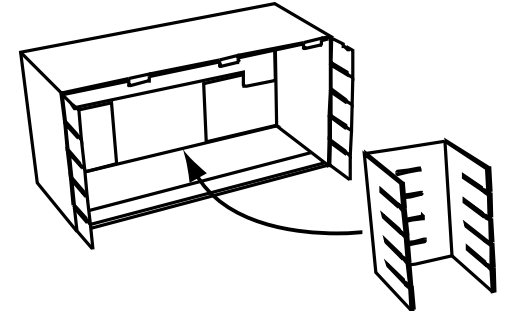
ASSEMBLED BACK OF THE BASE



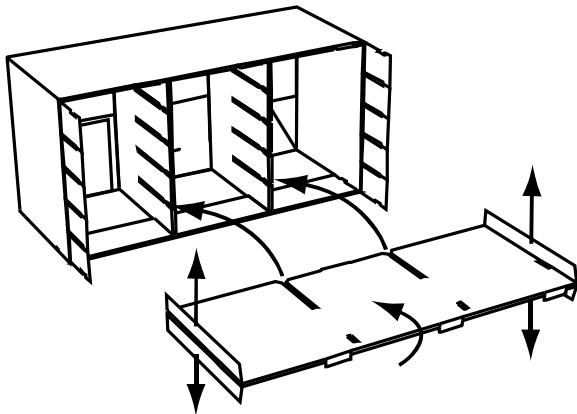
4. Fold inward the TOP & BOTTOM FLAP.



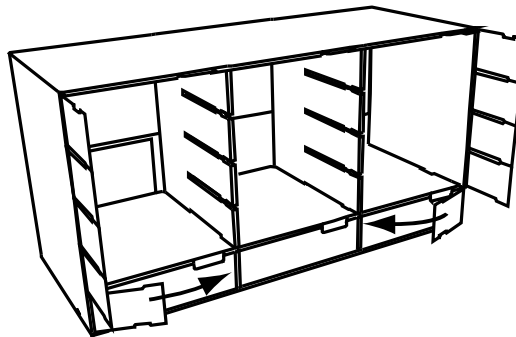
5. Square up the DIVIDER by folding it inward.



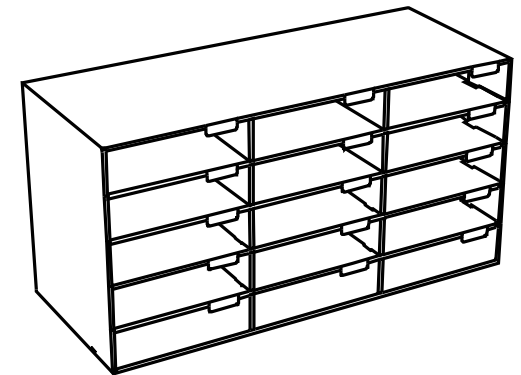
6. Place the DIVIDER into the middle of the ASSEMBLED BASE.



7. Fold inward the SHELF then back-fold the small side flaps. Insert a SHELF into the bottom slots of the DIVIDER.



8. Fold the bottom SIDEWALLS of the BASE inward. Insert the other SHELVES the same way, folding inward the SIDEWALLS as before.



**ASSEMBLED
15 SLOT MAILBOX**